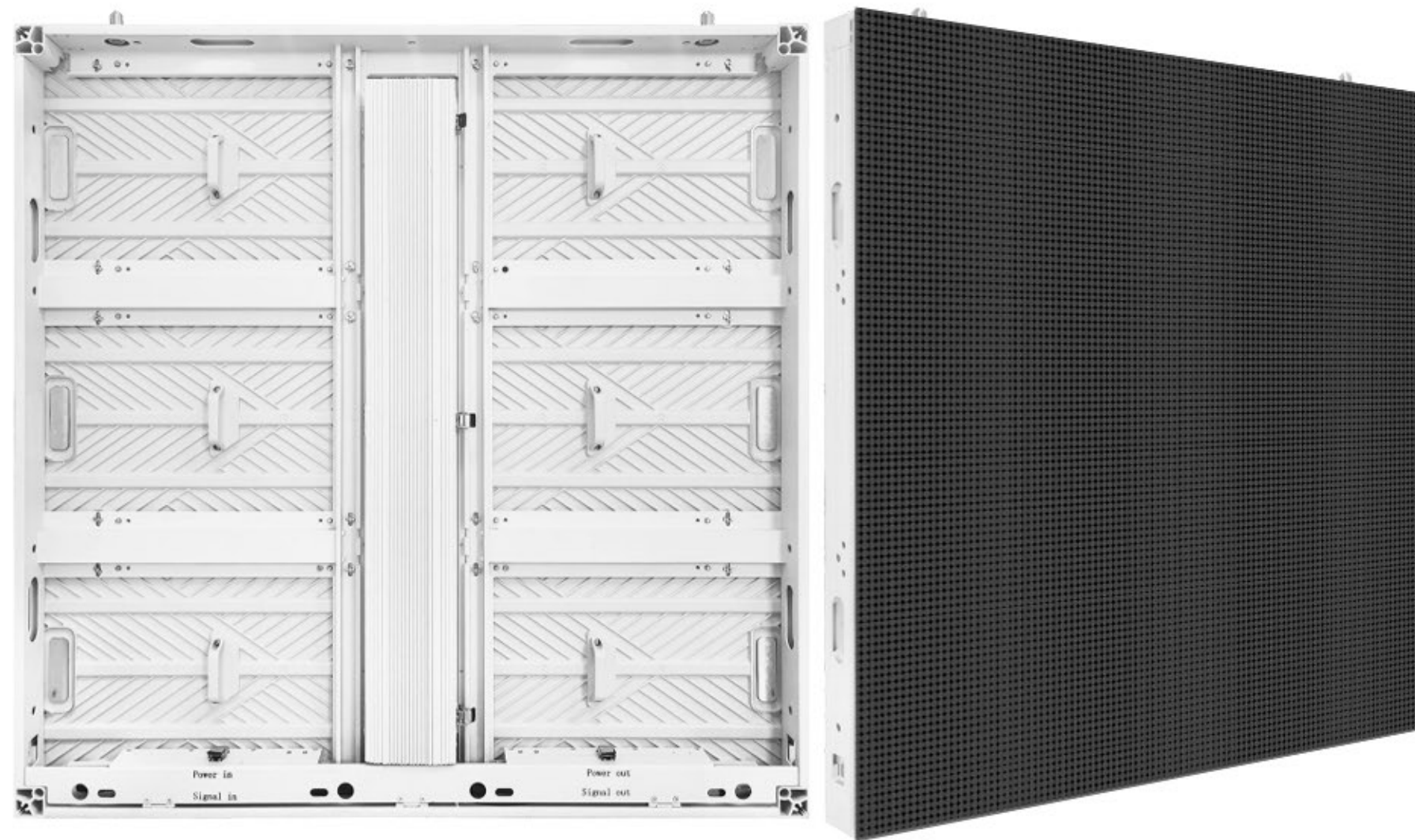


Promultis Outdoor Pro Series

Promultis Outdoor Pro Series LED Video Walls are available in a range of pixel pitches: P5, P5.7, P6.67, P8, and P10 and have an IP65 rating.



Note: Product design specifications including dimensions are subject to change without notice and may vary from those shown. Please call us for the most up to date specifications and dimensions.



[promultis]



For more exciting multitouch products visit
www.promultis.info
or call +44 (0) 239 251 2794

MODULE PARAMETERS					
Pixel Pitch	5	5.7	6.67	8	10
Pixel Structure	1R1G1B (Common Cathode)	1R1G1B (Common Anode)			
Pixel Density (dot/m ²)	40,000	30,772	22,477	15,625	10,000
Module Size(W*H)(mm)	480*320	480*320	480*320	480*320	480*320
Backshell Material	Die Casting Aluminium				
Module Resolution (W*H) (dot)	96*64	84*56	72*48	60*40	48*32
Maximum Current (A)	9+13				
Supply Voltage (V)	3.2+4.2				
Scanning Method	1/8	1/7	1/6	1/5	1/4
Refresh frequency (Hz)	≥1920				
Illumination (cd/m ²)	5000 - 5500		5500 - 6000		6000 - 6500
Driver IC	Constant Current Drive				
Contrast Ratio	≥5000:1				
CABINET PARAMETER					
Cabinet Size (W*H*D)(mm)	960*960*83				
Cabinet Material	Profile Aluminium				
Cabinet Weight (KG)	27				
Enclosure Connection Method	Screw Fixing				
Installation/Maintenance Method	Front and rear installation/front maintenance, optional rear maintenance				

Note: Product design specifications including dimensions are subject to change without notice and may vary from those shown. Please call us for the most up to date specifications and dimensions.



[promultis]



For more exciting multitouch products visit
www.promultis.info
 or call +44 (0) 239 251 2794

Colour Temperature	3200K - 9300K Adjustable ; $\geq 98\%$
Chromatic Uniformity	$\pm 0.003 C_x, C_y$
H/V View	$\geq 140^\circ / \geq 120^\circ$
Single Point Colour Correction	Available
Single Point Brightness Correction	Available
Standard Receiver Card	A5S plus
Frame Rate (Hz)	50/60
Protection Level	IP65
Signal Interference Mode	RJ45
Power Interface Method	Connector
Input Voltage Range AC (V)	100 - 240
Peak Power Consumption (W/m ²)	≤ 620
Average Power Consumption (W/m ²)	≤ 310
Working Temperature and Humidity Range	20 °C ~ +50 °C, 10% ~ 95%RH
Storage Temperature and Humidity Range	-40 °C ~ +70 °C, 10% ~ 95%RH
Service Life (H)	≥ 100000
Mean Time Between Failure (H)	≥ 10000

Note: Product design specifications including dimensions are subject to change without notice and may vary from those shown. Please call us for the most up to date specifications and dimensions.

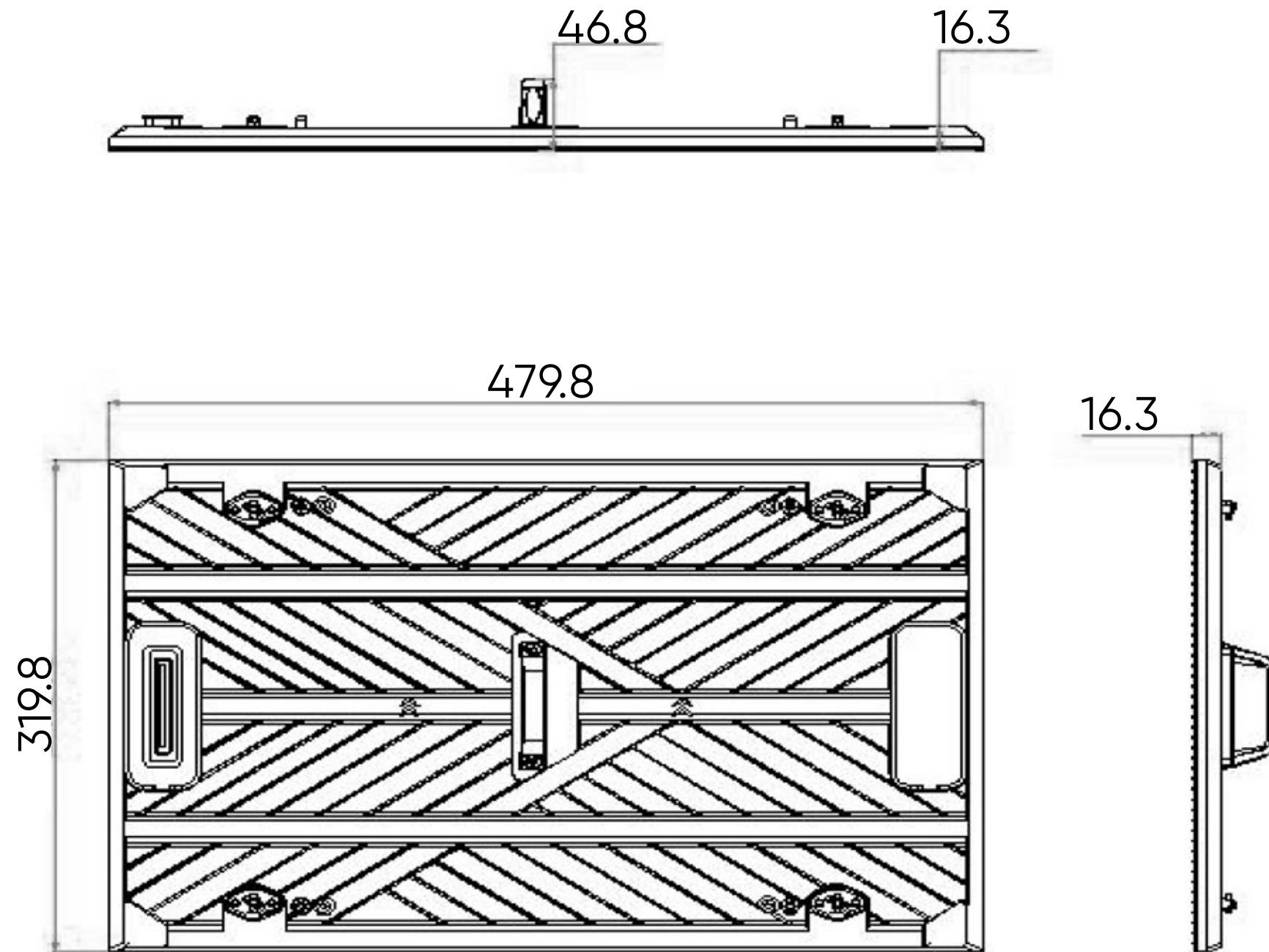


[promultis]



For more exciting multitouch products visit
www.promultis.info
 or call +44 (0) 239 251 2794

Module Dimension Structure



Note: Product design specifications including dimensions are subject to change without notice and may vary from those shown. Please call us for the most up to date specifications and dimensions.

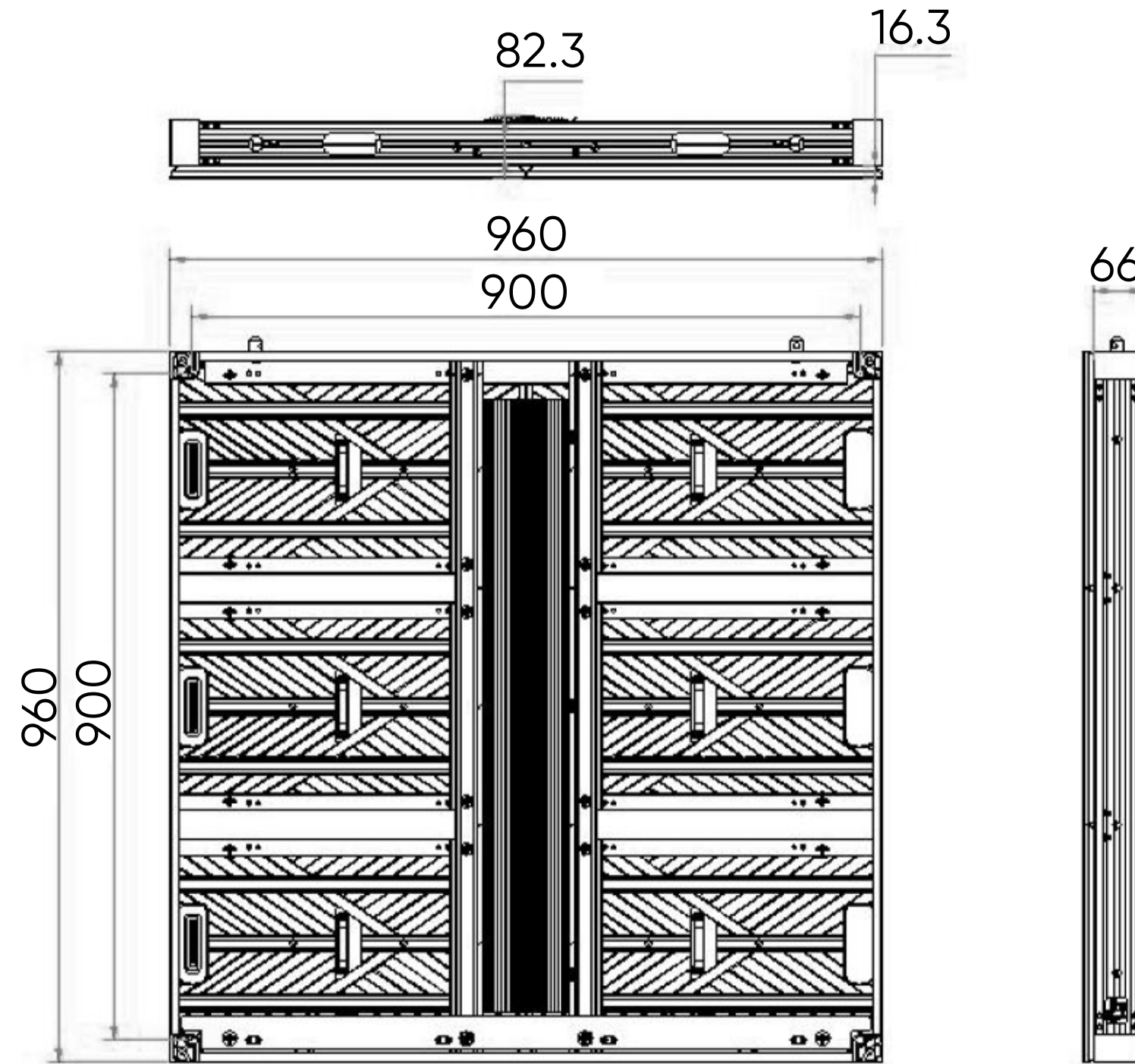


[promultis]



For more exciting multitouch products visit
www.promultis.info
or call +44 (0) 239 251 2794

Cabinet Dimension Structure



Note: Product design specifications including dimensions are subject to change without notice and may vary from those shown. Please call us for the most up to date specifications and dimensions.

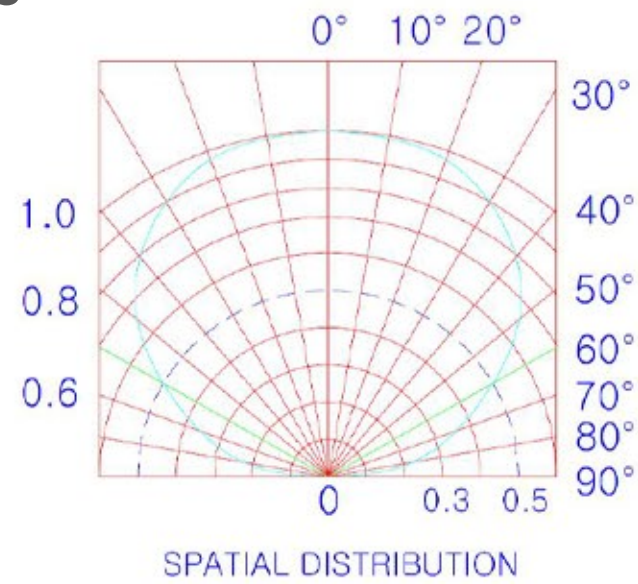


[promultis]

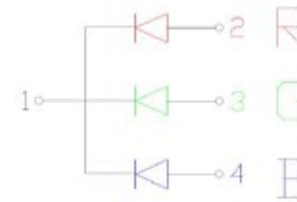


For more exciting multitouch products visit
www.promultis.info
or call +44 (0) 239 251 2794

Optical Features



Luminous Diagram

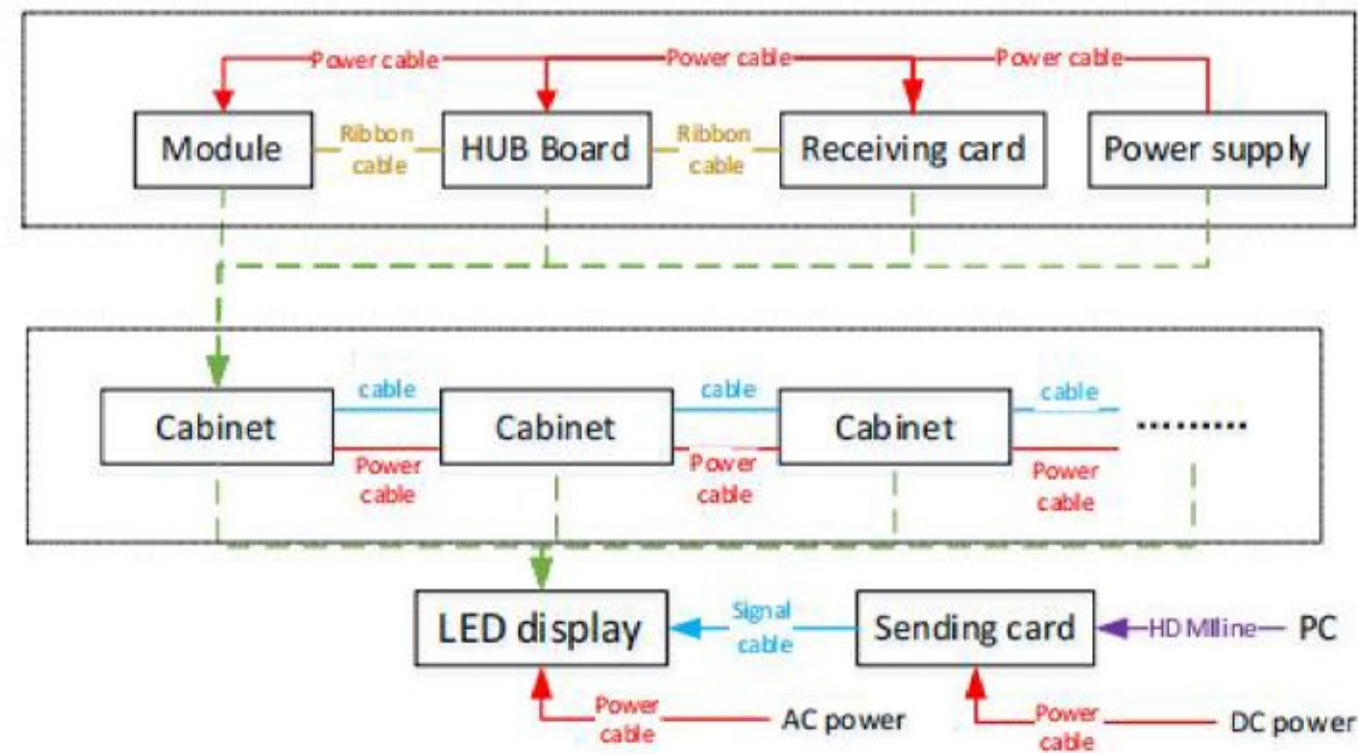


Lamp Circuit Diagram



Voltage-current Curve of Lamp

Connecting Diagram



Note: Product design specifications including dimensions are subject to change without notice and may vary from those shown. Please call us for the most up to date specifications and dimensions.



[promultis]



For more exciting multitouch products visit
www.promultis.info
 or call +44 (0) 239 251 2794