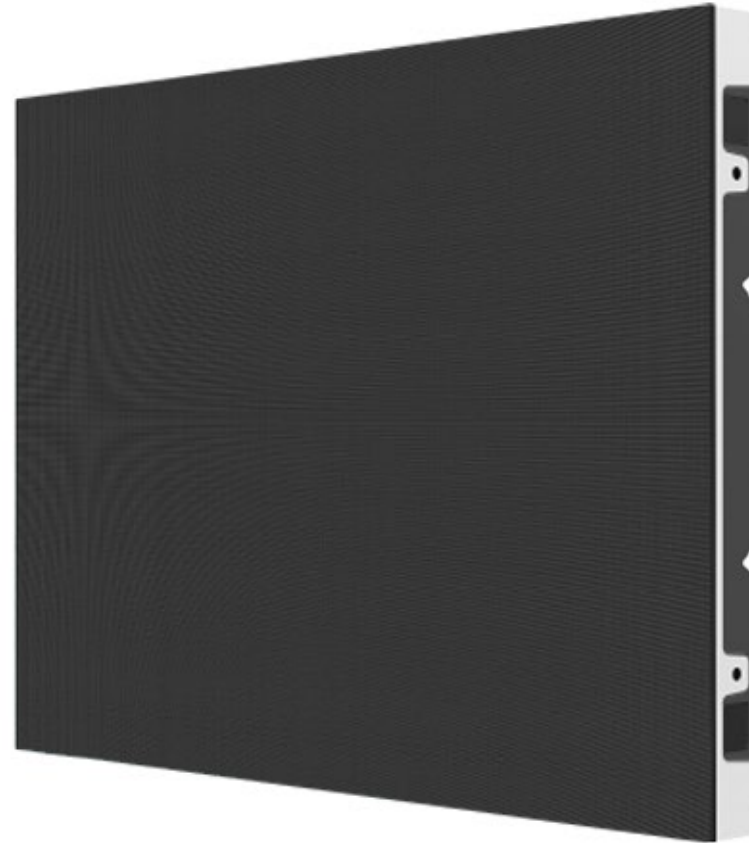




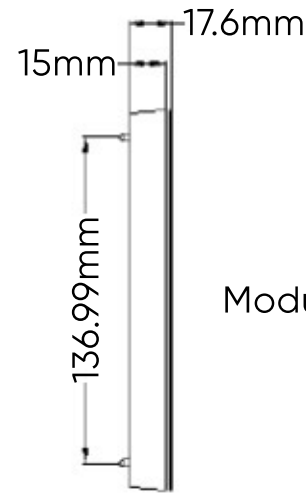
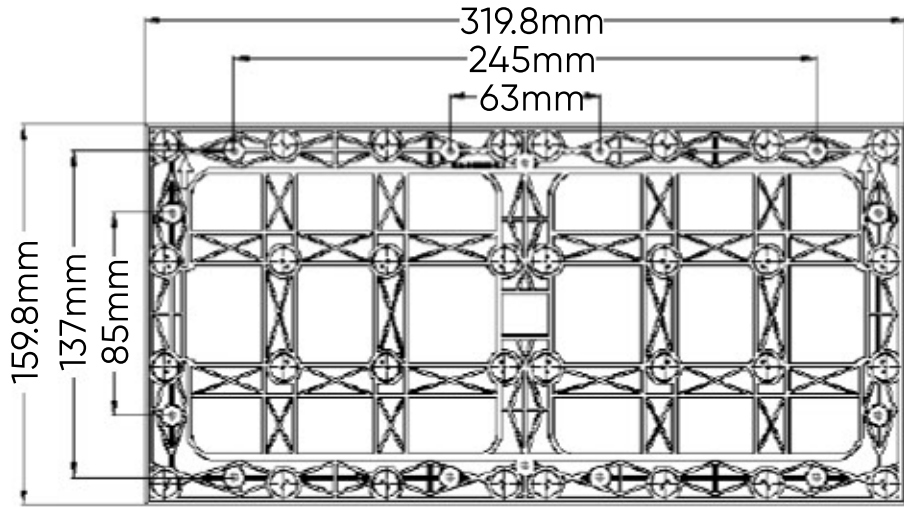
[promultis]

Promultis P1.53 – P2 LED Cabinet



	Item	P1.53	P1.86	P2
Technical	Pixel Pitch (mm)	1.53	1.86	2
	LED Configuration	1R1G1B	1R1G1B	1R1G1B
	LED Type	SMD1212	SMD1515	SMD1515
	Physical Density (dot/m ²)	422500	289050	250000
	Module Size (W ×H ×D) mm	320x160x17	320x160x17	320x160x17
	Module Resolution (W ×H)	208x104	172x86	160x80
	Cabinet Size (W ×H ×D) mm	640x480x62	640x480x62	640x480x62
	Module Basement Material (Option)	Plastic/Die Casting Aluminum		
	Cabinet Material	Die Casting Aluminum		
	Scanning Mode	1/43	1/43	1/40
	Cabinet Flatness (mm)	≤0.10	≤0.10	≤0.10
	Grey Scale (Bit)	14	14	14
	Protection Level	IP52	IP45	IP45
	Installation/Service Method	Front or back installation/Front service		
Optical	Brightness (cd/m ²)	500-900cd/m ²	500-900cd/m ²	500-900cd/m ²
	Color Temperature	3200-9300K adjustable		
	Brightness Uniformity	≥98%	≥98%	≥98%
	Color Uniformity	Within 0.003Cx,Cy		
	Horizontal/Vertical View Angle	≥140°/≥120°	≥140°/≥120°	≥140°/≥120°
	Contrast Ratio	≥5000:1	≥5000:1	≥5000:1
	Color Calibration of Single Dot	Yes	Yes	Yes
	Brightness Calibration of Single Dot	Yes	Yes	Yes

	Item	P1.53	P1.86	P2
Operation	Drive Mode	Constant Current Drive		
	Module Input Voltage DC	5V	5V	5V
	Module Max Current DC	6A	6A	6A
	Standard Receiving Card	A5S PLUS	A5S PLUS	A5S PLUS
	Refresh Frame Frequency	50/60Hz	50/60Hz	50/60Hz
	Max Refresh Rate	≥3840Hz	≥3840Hz	≥3840Hz
	Network Connection Port	HUB320	HUB75	HUB75
	Input Voltage AC	110-220V	110-220V	110-220V
	Cabinet Max Power Consumption	≤600W/m ²	≤600W/m ²	≤600W/m ²
	Cabinet Aver. Power Consumption	≤280W/m ²	≤280W/m ²	≤280W/m ²
	Working Temperature	-20°C ~ +80°C	-20°C ~ +80°C	-20°C ~ +80°C
	Working Humidity	10% ~ 95% RH	10% ~ 95% RH	10% ~ 95% RH



Module Dimensions

Cabinet Dimensions

