

Promultis Varitilt Pro

The Promultis Varitilt Pro is an Electric Height & Tilt Adjustable, Mobile Interactive Table. Screen Sizes of 55" & 65" with 40 or 100 Touch Points and Object Recognition Ready Options



Note: Product design specifications including dimensions are subject to change without notice and may vary from those shown. Please call us for the most up to date specifications and dimensions.



[promultis]



Made in the UK

For more exciting multitouch products visit
www.promultis.info
or call +44 (0) 239 251 2794

| CHASSIS FEATURES | |
|-----------------------|--|
| Materials | Aluminium |
| Glass Type | Toughened |
| Tray | Cable Management & PC Shelf |
| Mobility | 4 Professional Floor Levelling Castors |
| PANEL | |
| Interactive Area | 55" 65" |
| Panel Resolution | 4K UHD |
| Native Resolution | 3840 x 2160 60Hz |
| Brightness (Nits) | 450 |
| Contrast Ratio | 1500:1 |
| Response Time | 6ms |
| Aspect Ratio | 16 x 9 |
| Viewing Angle | 178 °/178 ° |
| Pixel Pitch | 0.744 (mm) |
| LCD Illumination | Backlit LED |
| Speaker | 10W x2 |
| ENVIRONMENT | |
| Operating Temperature | 50°F to 104°F (10°C to 40°C) |
| Operating Humidity | 10% to 80%, non-condensing |
| Storage Temperature | -4°F to 113°F (-20°C to 45°C) |
| Storage Humidity | 5% to 95%, non-condensing |

Note: Product design specifications including dimensions are subject to change without notice and may vary from those shown. Please call us for the most up to date specifications and dimensions.



[promultis]



Made in the UK

For more exciting multitouch products visit
www.promultis.info
 or call +44 (0) 239 251 2794

| PROJECTED CAPACITIVE | |
|--------------------------------|---|
| Detection Method | Projected Capacitive |
| Input Method | Finger / Gloved Finger |
| Number of Simultaneous Touches | 40 or 100 Touches |
| Noise Shielding | DISPLAX XTR-Shield Plus, a proprietary noise filtering technology |
| Aspect Ratio | 16:9 |
| Controller | Printed Circuit Board with Mini USB Connector |
| Adhesive | Permanent |
| Interface | HID |
| OS with Multitouch | Windows 8.1, 8, 7, 10; Ubuntu 12.04; Android; Chrome OS |
| OS with Single Touch | Mac OS X Yosemite |
| OS with Mouse Emulation | Spinetix Media Player HMP 200 |
| Data Connectivity | USB2.0 |
| Touch Accuracy | 1mm Absolute |
| PERFORMANCE | |
| Substrate Thickness | Up to 6mm |
| Touch Response | 5 milliseconds |
| Calibration | Available Using Control Panel: No Drift |
| POWER CONSUMPTION | |
| Average Power Consumption | USB Powered @ 5V |
| | Peak Consumption: 410mA |
| | Operation Consumption: 370mA |

Note: Product design specifications including dimensions are subject to change without notice and may vary from those shown. Please call us for the most up to date specifications and dimensions.



[promultis]

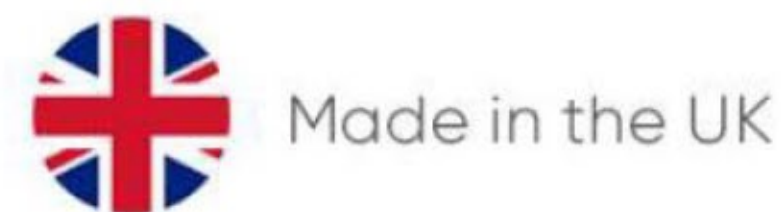


Made in the UK

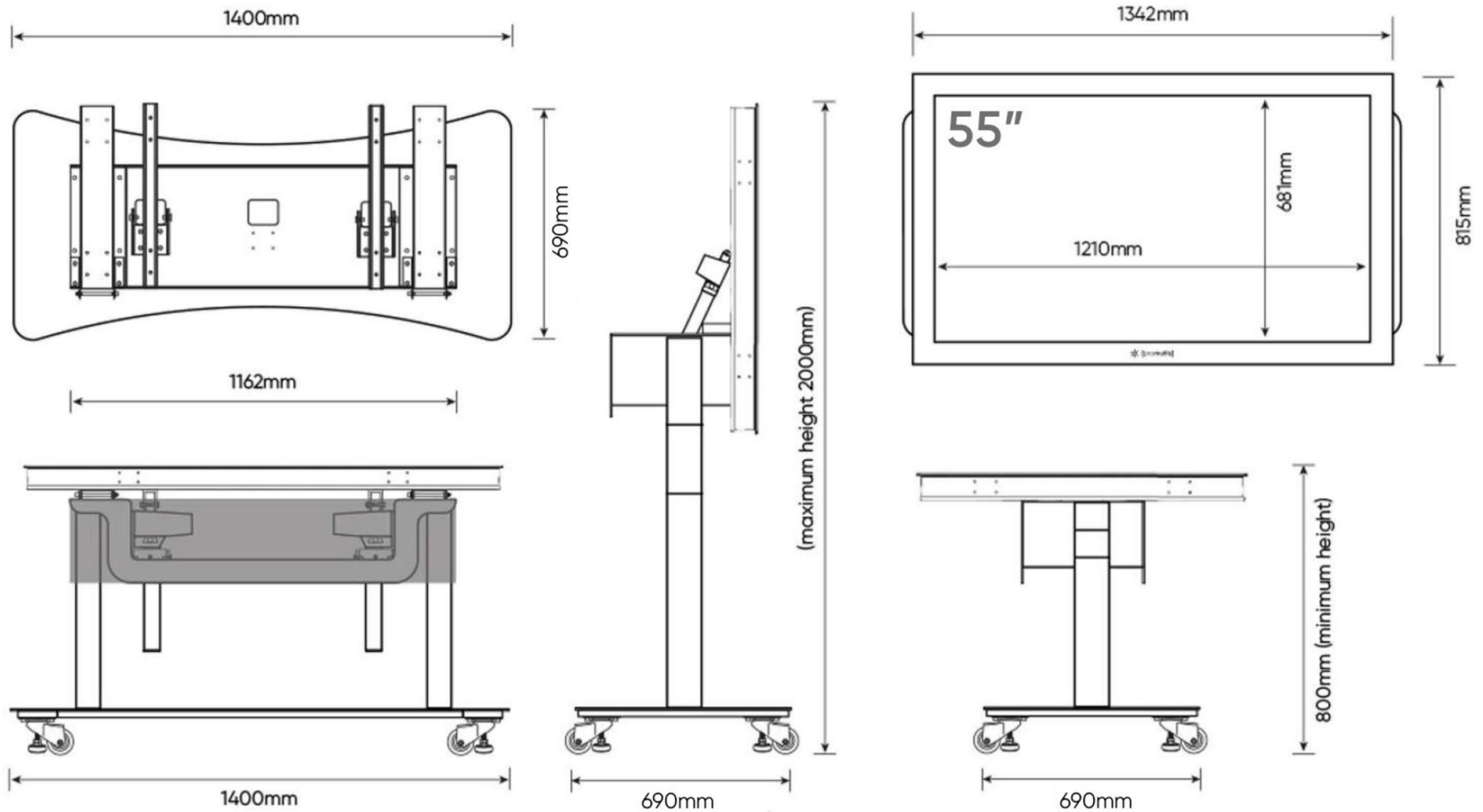
For more exciting multitouch products visit
www.promultis.info
 or call +44 (0) 239 251 2794

| RELIABILITY | |
|---------------------------------|--------------------|
| Operating Temperature Range | -20°C to 70°C |
| Operating Humidity Range | 0% to 96% |
| Life Time Expectancy | Unlimited |
| Controller Life Time Expectancy | 1 million hours |
| SHIPPED WITH | |
| Cables | Power / HDMI / USB |
| Remote Control | Included |
| WARRANTY | |
| 3 Year Warranty | |

Note: Product design specifications including dimensions are subject to change without notice and may vary from those shown. Please call us for the most up to date specifications and dimensions.



For more exciting multitouch products visit
www.promultis.info
 or call +44 (0) 239 251 2794



Note: Product design specifications including dimensions are subject to change without notice and may vary from those shown. Please call us for the most up to date specifications and dimensions.

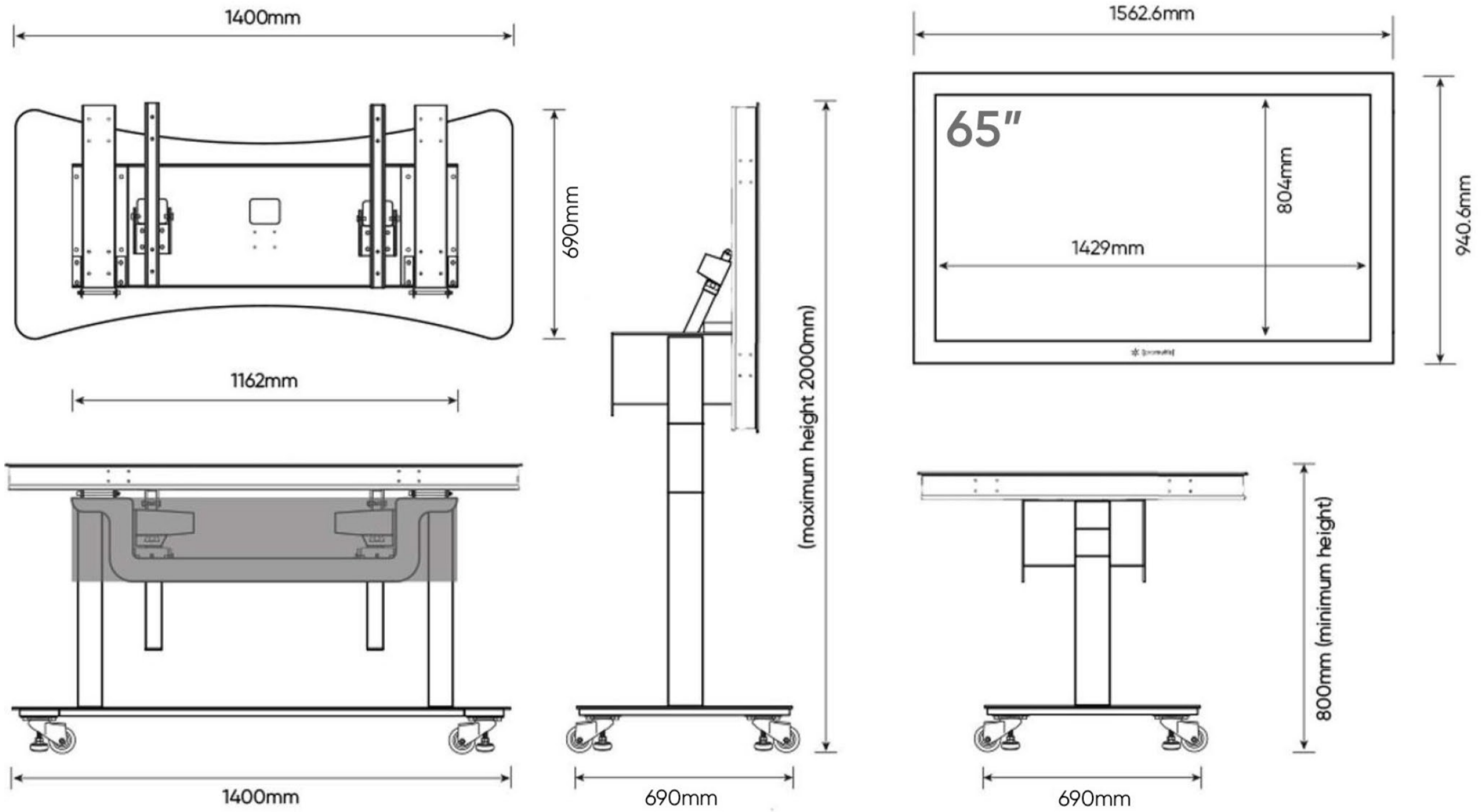


[promultis]



Made in the UK

For more exciting multitouch products visit
www.promultis.info
 or call +44 (0) 239 251 2794



Note: Product design specifications including dimensions are subject to change without notice and may vary from those shown. Please call us for the most up to date specifications and dimensions.



[promultis]



Made in the UK

For more exciting multitouch products visit
www.promultis.info
 or call +44 (0) 239 251 2794