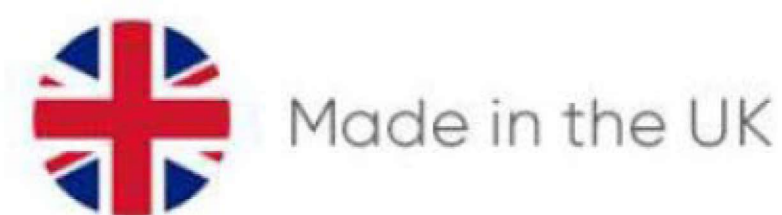


Promultis Varitilt Pro

The Promultis Varitilt Pro is an Electric Height & Tilt Adjustable, Mobile Interactive Table. Screen Sizes of 55" & 65" with 20 or 100 Touch Points and Object Recognition Ready Options.



Note: Product design specifications including dimensions are subject to change without notice and may vary from those shown. Please call us for the most up to date specifications and dimensions.



For more exciting multitouch products visit
www.promultis.info
or call +44 (0) 239 251 2794

CHASSIS FEATURES	
Materials	Aluminium
Glass Type	Toughened
Tray	Cable Management & PC Shelf
Mobility	4 Professional Floor Levelling Castors
PANEL	
Interactive Area	55" 65"
Panel Resolution	4K UHD
Native Resolution	3840 x 2160 60Hz
Brightness (Nits)	450
Contrast Ratio	1500:1
Response Time	6ms
Aspect Ratio	16 x 9
Viewing Angle	178 °/178 °
Pixel Pitch	0.744 (mm)
LCD Illumination	Backlit LED
Speaker	10W x2
ENVIRONMENT	
Operating Temperature	50°F to 104°F (10°C to 40°C)
Operating Humidity	10% to 80%, non-condensing
Storage Temperature	-4°F to 113°F (-20°C to 45°C)
Storage Humidity	5% to 95%, non-condensing

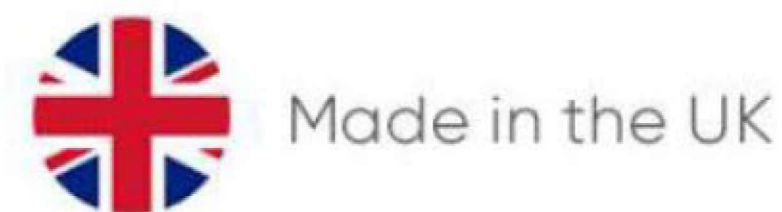
Note: Product design specifications including dimensions are subject to change without notice and may vary from those shown. Please call us for the most up to date specifications and dimensions.



For more exciting multitouch products visit
www.promultis.info
 or call +44 (0) 239 251 2794

PROJECTED CAPACITIVE	
Detection Method	Projected Capacitive
Input Method	Finger / Gloved Finger
Number of Simultaneous Touches	20 or 100 Touches
Noise Shielding	DISPLAX XTR-Shield Plus, a proprietary noise filtering technology
Aspect Ratio	16:9
Controller	Printed Circuit Board with Mini USB Connector
Adhesive	Permanent
Interface	HID
OS with Multitouch	Windows 8.1, 8, 7, 10; Ubuntu 12.04; Android; Chrome OS
OS with Single Touch	Mac OS X Yosemite
OS with Mouse Emulation	Spinetix Media Player HMP 200
Data Connectivity	USB2.0
Touch Accuracy	1mm Absolute
PERFORMANCE	
Substrate Thickness	Up to 6mm
Touch Response	5 milliseconds
Calibration	Available Using Control Panel: No Drift
POWER CONSUMPTION	
Average Power Consumption	USB Powered @ 5V
	Peak Consumption: 410mA
	Operation Consumption: 370mA

Note: Product design specifications including dimensions are subject to change without notice and may vary from those shown. Please call us for the most up to date specifications and dimensions.



For more exciting multitouch products visit
www.promultis.info
 or call +44 (0) 239 251 2794

RELIABILITY	
Operating Temperature Range	-20°C to 70°C
Operating Humidity Range	0% to 96%
Life Time Expectancy	Unlimited
Controller Life Time Expectancy	1 million hours
SHIPPED WITH	
Cables	Power / HDMI / USB
Remote Control	Included
WARRANTY	
3 Year Warranty	

Note: Product design specifications including dimensions are subject to change without notice and may vary from those shown. Please call us for the most up to date specifications and dimensions.

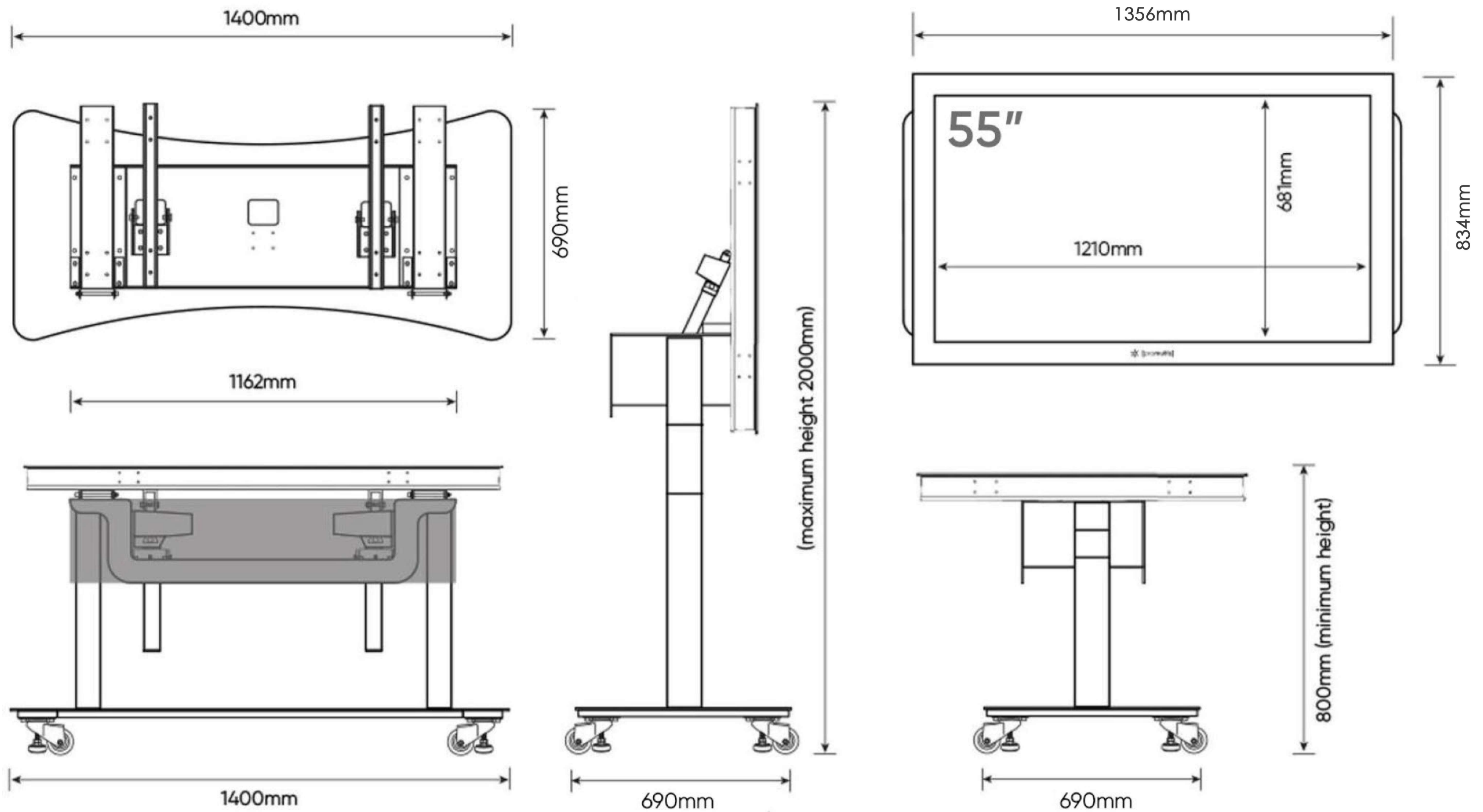


[promultis]



Made in the UK

For more exciting multitouch products visit
www.promultis.info
 or call +44 (0) 239 251 2794



Note: Product design specifications including dimensions are subject to change without notice and may vary from those shown. Please call us for the most up to date specifications and dimensions.

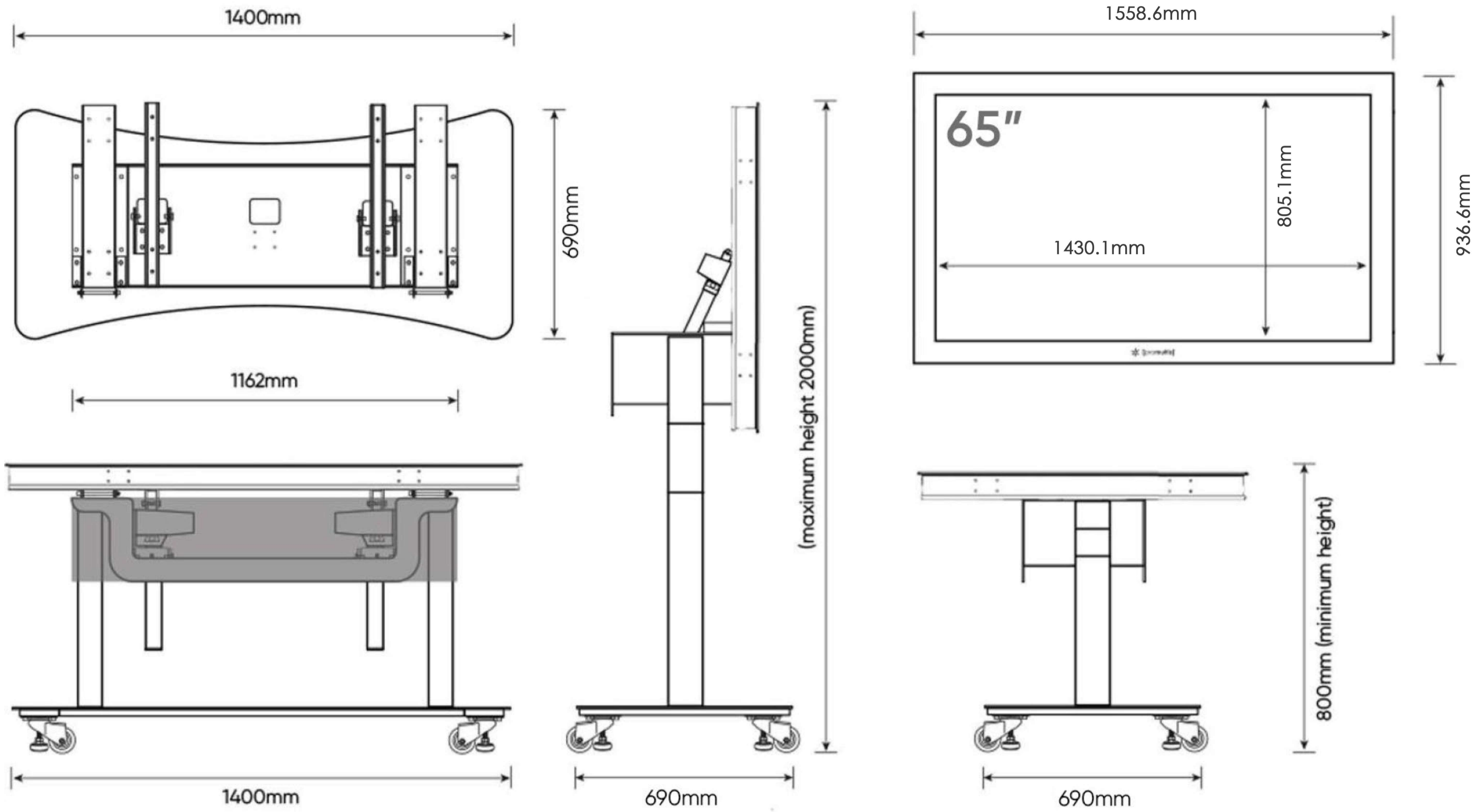


[promultis]



Made in the UK

For more exciting multitouch products visit
www.promultis.info
 or call +44 (0) 239 251 2794



Note: Product design specifications including dimensions are subject to change without notice and may vary from those shown. Please call us for the most up to date specifications and dimensions.



For more exciting multitouch products visit
www.promultis.info
 or call +44 (0) 239 251 2794