



[promultis]

Varitilt Pro



USER'S MANUAL

CAUTION

- Changes or modifications not expressly approved by the party responsible for compliance could void the user's authority to operate the equipment.
- This User's Manual includes detailed usage instructions for your product.
- Please read this manual thoroughly.
- Figures and illustrations in this User Manual are provided for reference only and may differ from actual equipment appearance. Equipment design and specifications may be changed without notice.
- Due to the processes required for manufacturing a large format Projected Capacitive product Promultis will only accept warranty requests for units that have a blemish, mark or smear on the touch skin that is 5% or larger than the total interactive area.

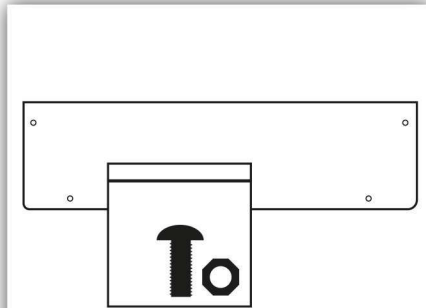


[promultis]
MULTITOUCH SOLUTIONS

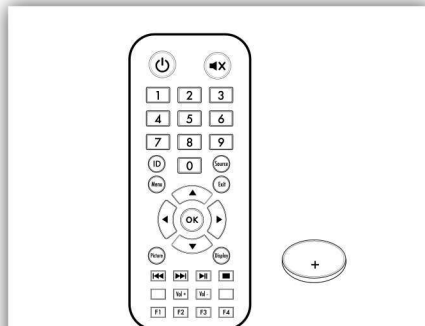
For more exciting multitouch products visit
www.promultis.info
or call +44 (0) 239 251 2794

Getting started

The following items are included in your product box.



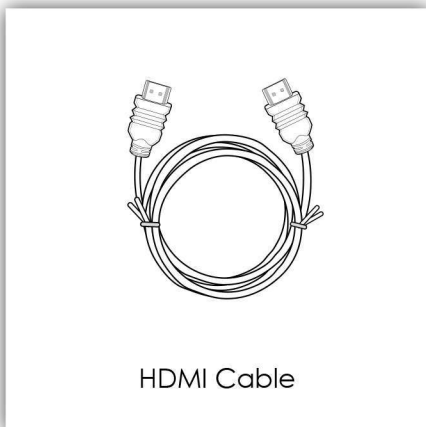
Side Panel with fixings



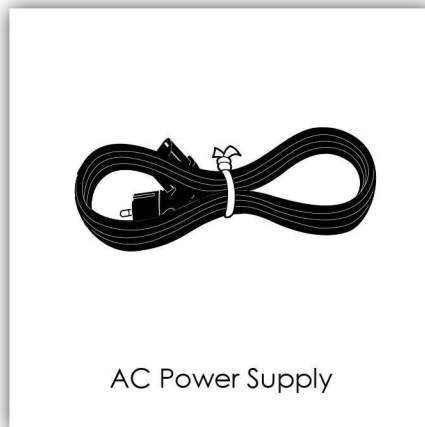
Remote Control



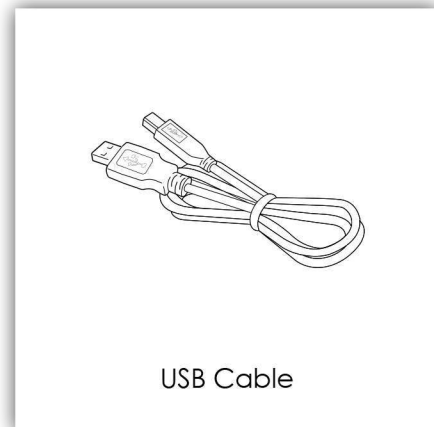
Promultis Manual



HDMI Cable



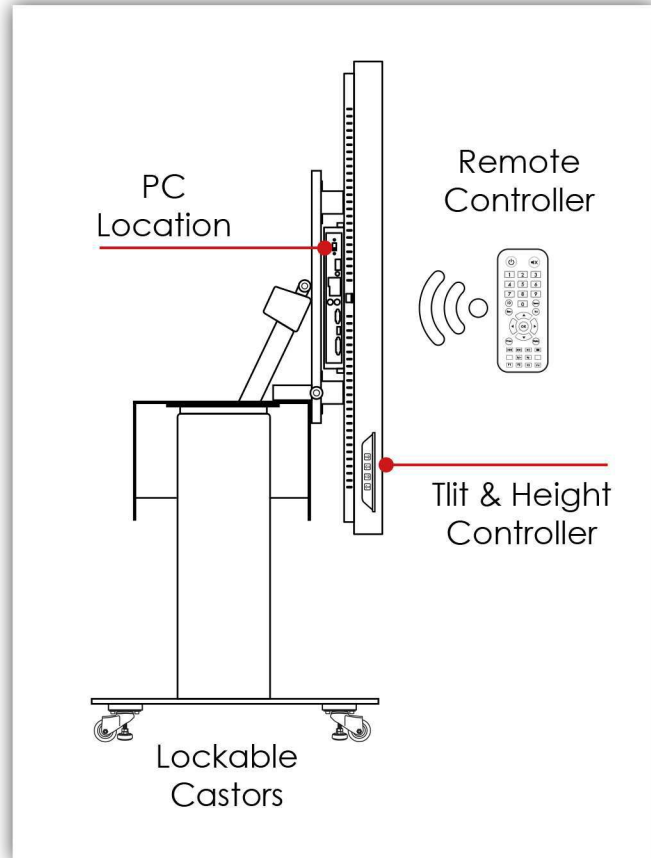
AC Power Supply



USB Cable

1. Start Up

1. Check the plug is switched on at the wall socket
2. Press the monitor power button on the right hand side of the screen
3. Then press the grey power button at the bottom of the the PC which is on the left hand side of the screen
4. After a few seconds, if the screen is still blank, take the TV remote control, point towards the bottom left corner of the screen and press the power button.

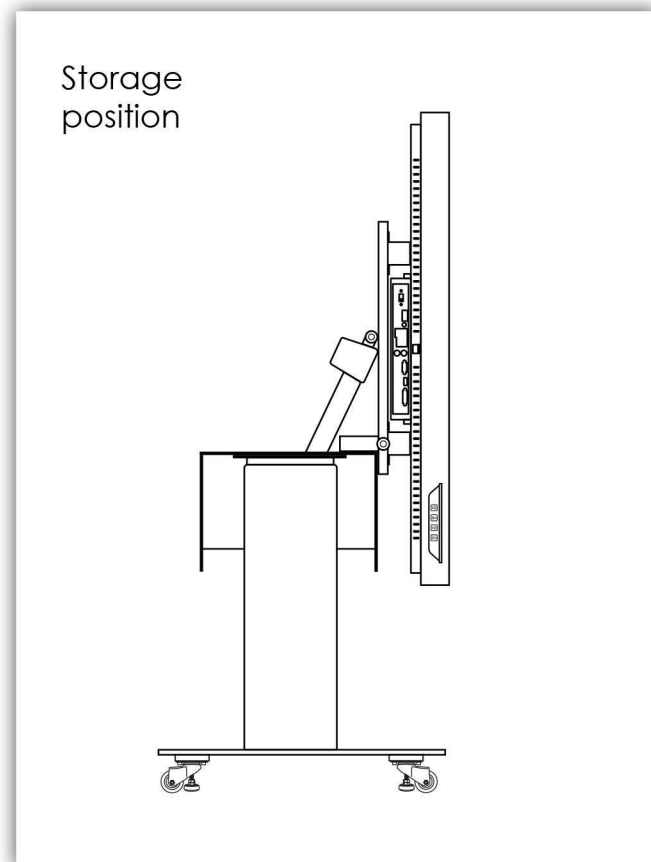


2. General Maintenance

When storing the unit it is best to lower the height of the unit to its lowest position leaving the tilt elevation as it was last used or adjusting it to vertical and checking the casters are locked

When moving the unit it should always be in the storage condition (screen vertical and at its lowest height) ensuring the casters are unlocked and all cables have been disconnected.

The unit has been designed to pass through 2' 6" by 6' 6" door openings, when reaching its destination please ensure that the casters are locked.



3. Adjusting Tilt and Height

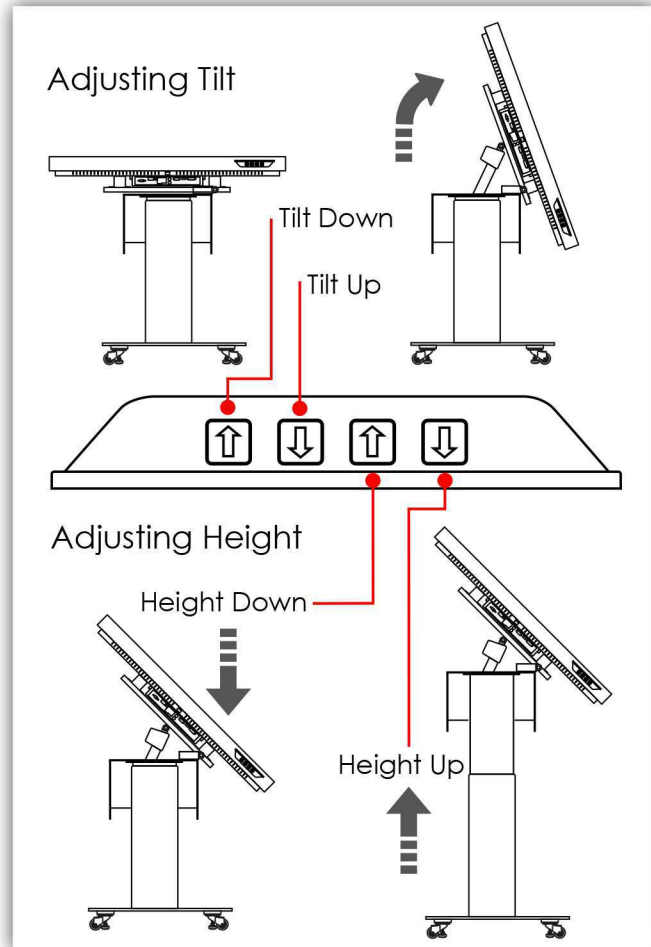
The tilt and height controller is situated on the left hand side of the screen.

1. The first and second buttons adjust the tilt of the screen.
2. The third and fourth buttons adjust the height of the screen.

It is recommended that the wheels are locked before any adjustment.

SAFETY NOTICE

When adjusting the tilt or height of the screen, please ensure no cables are going to get caught in the mechanism and your hands and any miscellaneous object are clear of any moving parts.

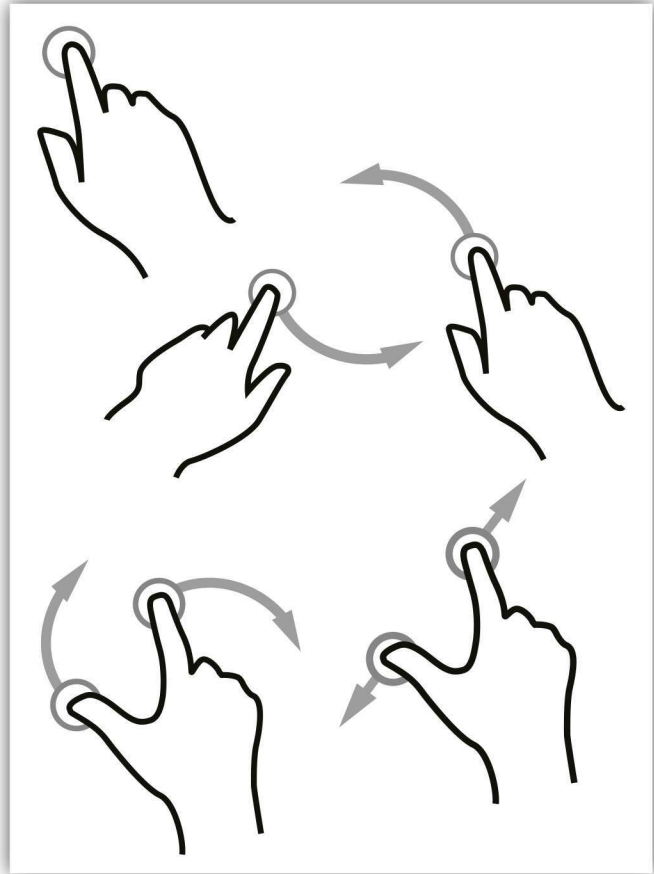


5. Operation Guidance

When using the screen the gesture functions are similar to using your smartphone or tablet but on a much larger scale.

The way Projected Capacitive touch technology works is by fixing a sensor grid between a layer of cover glass and the LCD panel, so when a finger touches the glass the grid detects the coordinates of the touch point.

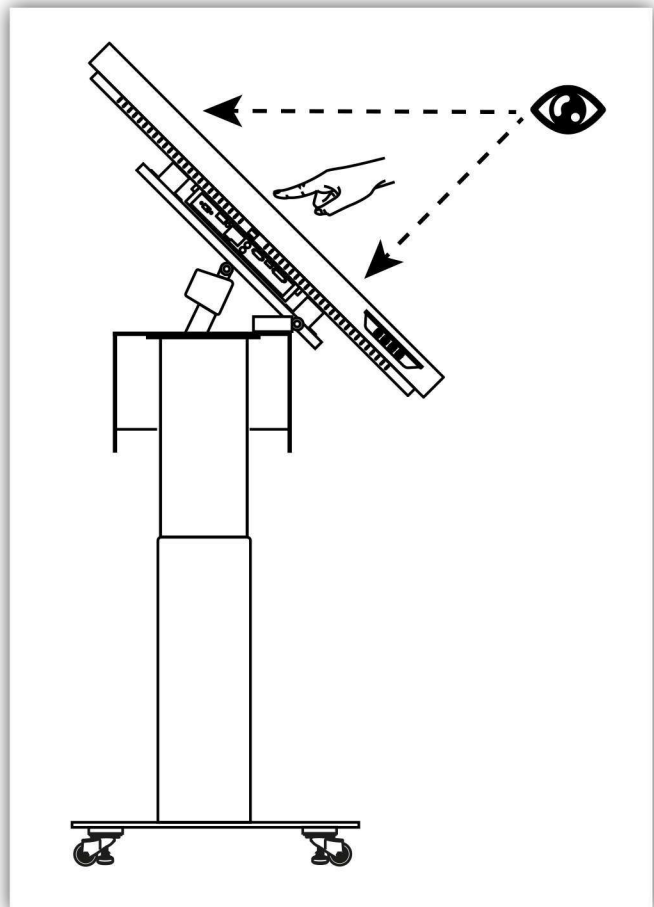
With this type of technology no recessed bezel is required so our Projected Capacitive Touch Screens have a strong tempered edge-to-edge glass front for a more striking display. From easy cleaning to smooth gesture recognition Projected Capacitive is the definitive touch technology.



6. Parallax issue

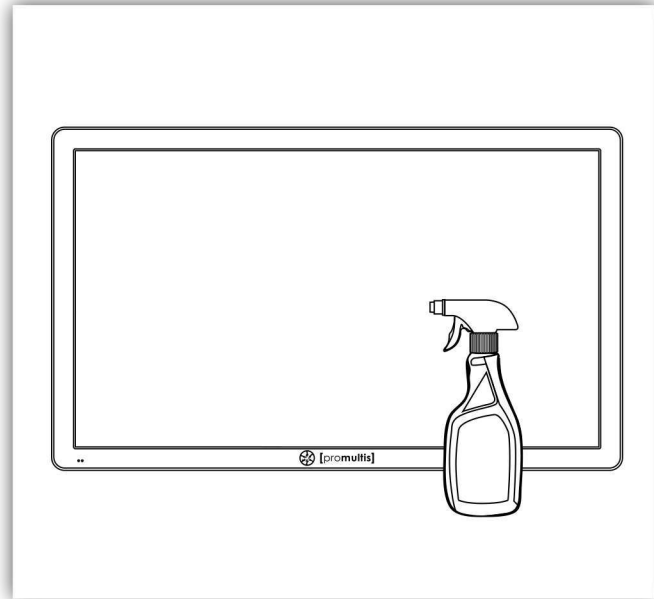
Parallax when touching the screen is also a factor to consider, if the screen is tilted to 45 degrees and you are trying to touch a point at the top of the screen your touch point may be considerably lower than you intended as the line of site will be impaired with parallax, try to ensure that you are positioning your touch directly over the item you need to access.

If it is noticed that the touch is out of alignment with the object then recalibration should be performed.

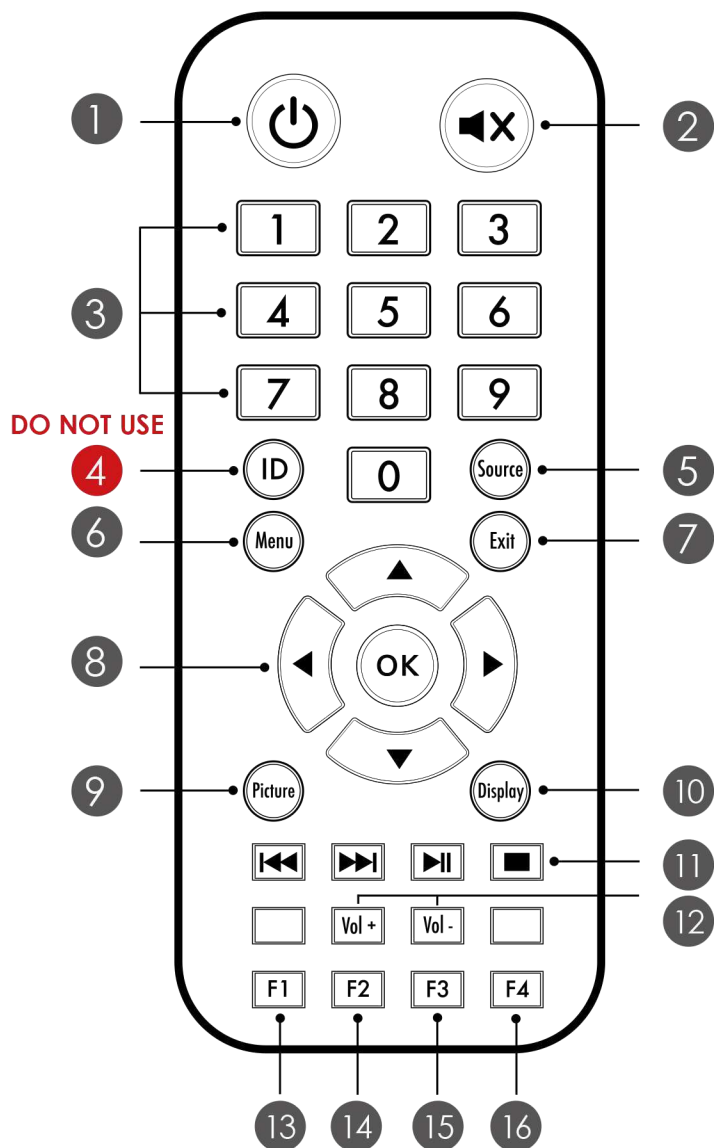


Screen Cleaning

Over time and use the screen will become tarnished with finger prints; to clean a mist spray class cleaner / degreaser should be used when the screen is at a 45 degree angle. Should any liquid be dropped on the screen when it is in the horizontal position this should be mopped up with a liquid absorbent cloth prior to cleaning.



The remote control



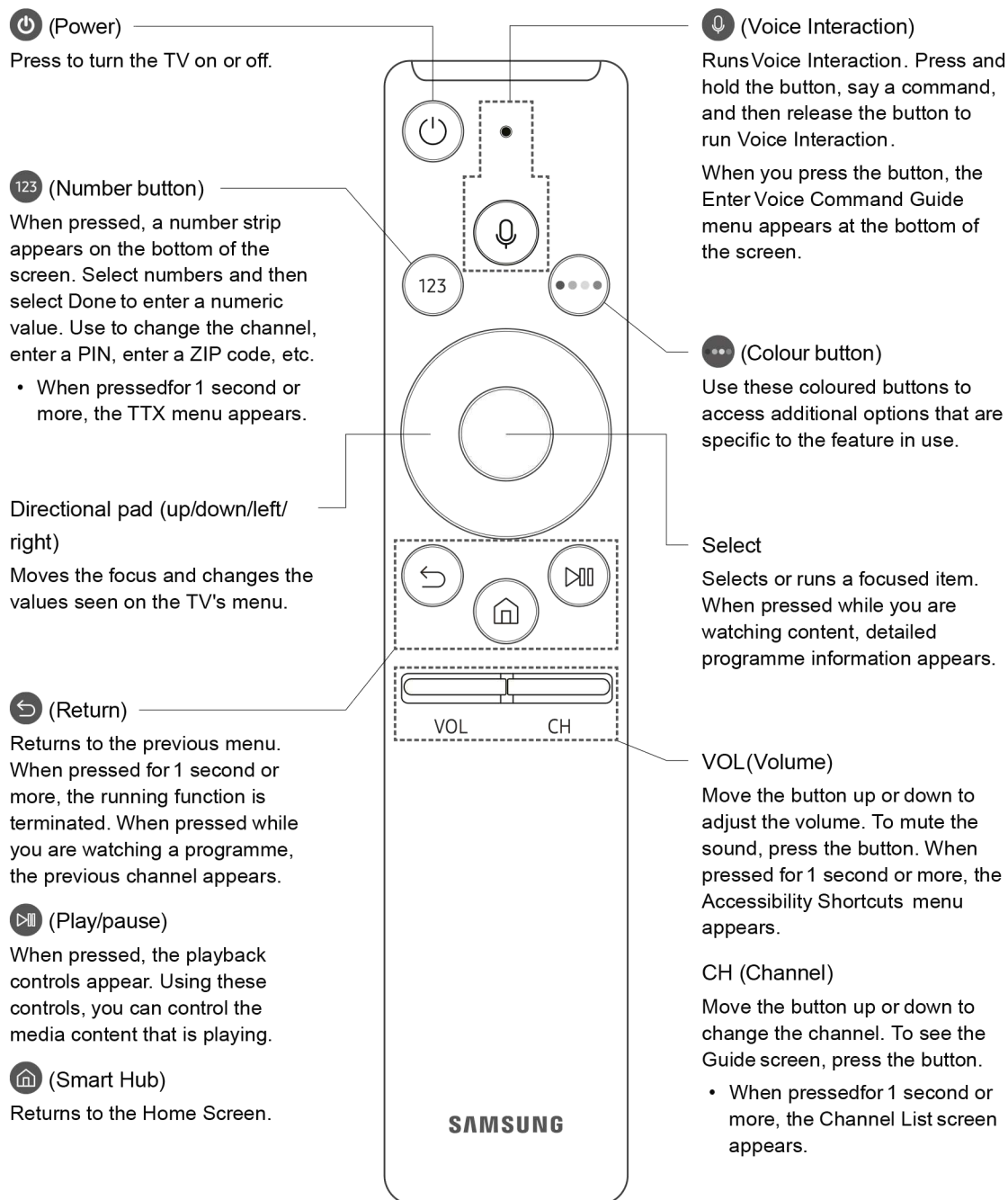
1	Power Press to tum me IU on and off
2	MUTE Press to temporarily switch the sound off
3	CHANNELS Change channel inputs
4	ID (Screen Identification) DO NOT PRESS AS THIS WILL DISABLE ALL REMOTE FUNCTIONS*
5	SOURCE/ AV/ INPUT Press all to display a menu of all available input sources
6	MENU Press to display the on-screen menu
7	EXIT Press to close current menu
8	OK Press to accept your selection or display the current mode Press to select on-screen menu items or change menu values
9	Picture Change picture setting, user, high brightness, standard, sport, cinema
10	Display Model info on screen
11	REWIND/FORWARD/PLAY/PAUSE/STOP Able to rewind, forward,play, pause and stop the screen
12	Vol+ / Vol - Press to increase or decrease the volume
13	F1
14	F2
15	F3
16	F4- FREEZE Press to freeze the picture and doesn't pause PC

* If enabled turn off screen manually to reinitiate the remote control

Controller for Samsung

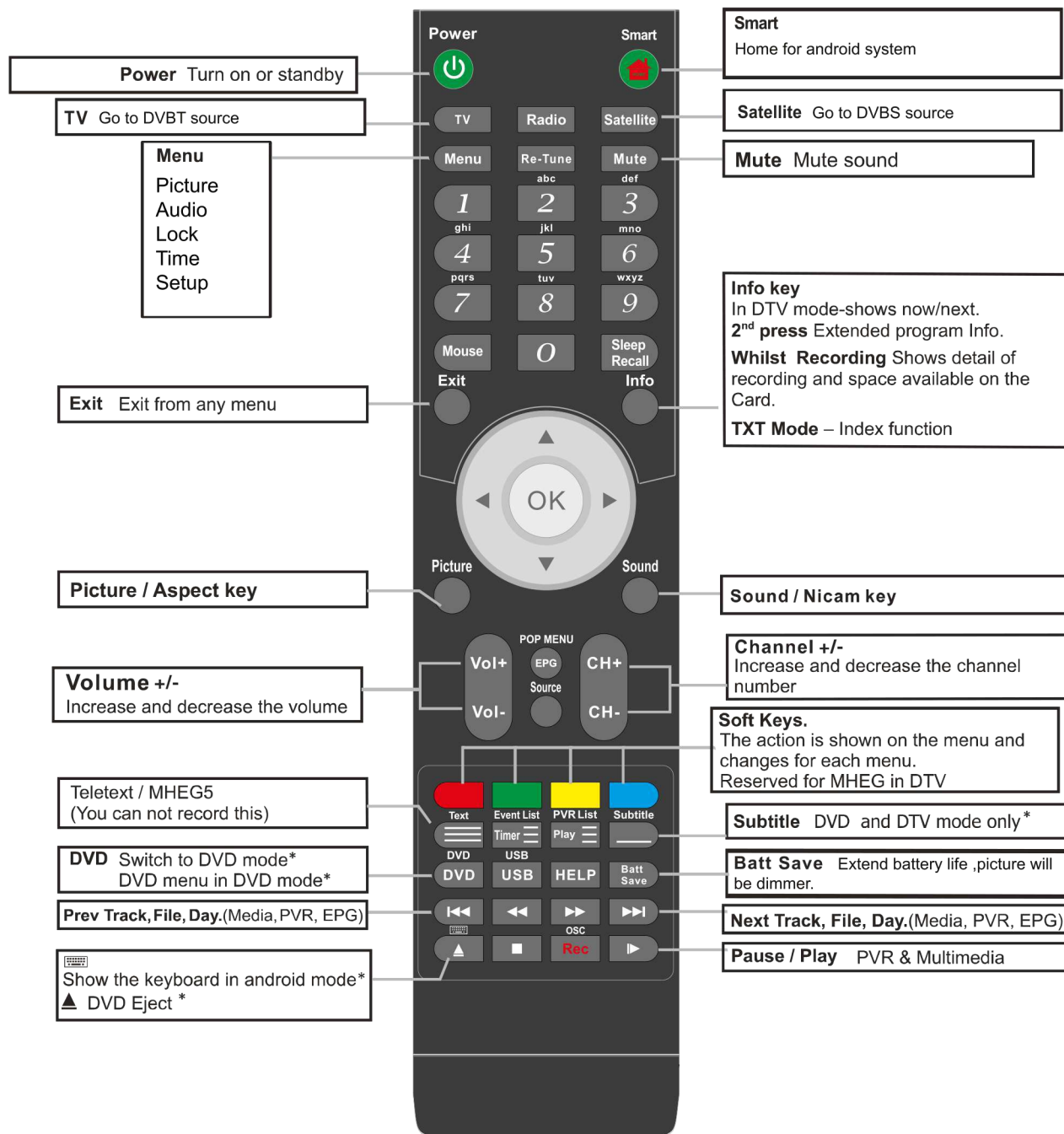
About the Buttons on the Samsung Smart Remote

- The images, buttons, and functions of the Samsung Smart Remote may differ depending on the model.

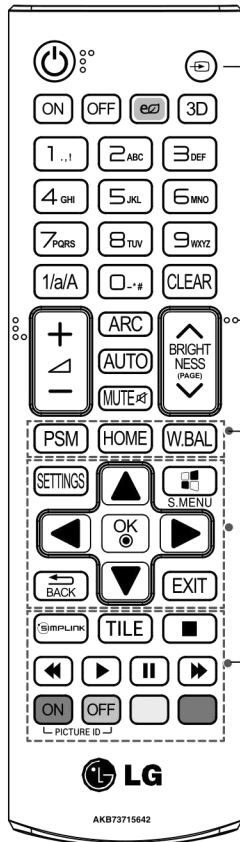


Controller for Cello

Dependant on the Model of the TV some keys will have no function



Controller for LG



- POWER** Turns the monitor on or off.

MONITOR ON Turns the monitor on.

MONITOR OFF Turns the monitor off.

ENERGY SAVING (E) Reduces power consumption by adjusting peak screen brightness.

INPUT Selects the input mode.

3D Used for viewing 3D videos. (This model does not support this.)
- 1/a/A** Toggles between numerical and alphabetical. (Depending upon the model, this feature may not be supported.)

Number and Alphabet buttons Enters numerical or alphabetical characters depending upon the setting. (Depending upon the model, this feature may not be supported.)

CLEAR Deletes the entered numerical or alphabetical character. (Depending upon the model, this feature may not be supported.)
- Volume Up/Down Button** Adjusts the volume.

ARC Selects the Aspect Ratio mode.

AUTO Automatically adjusts picture position and minimizes image instability (available for RGB input only). (Depending upon the model, this feature may not be supported.)

MUTE Mutes all sounds.

BRIGHTNESS Adjusts the brightness of the display. PAGE Function is not supported in the this model. (Depending upon the model, this feature may not be supported.)
- PSM** Selects the Picture Mode.

HOME Activates the Launcher.

W.BAL Enters the White Balance menu.

SETTINGS Accesses the main menus or saves your input and exit menus.

S.MENU SuperSign menu key (Depending upon the model, this feature may not be supported.)

Navigation Buttons Scrolls through menus or options.

OK Selects menus or options and confirms your input.

BACK Allows you to move back one step in the user interaction function.

EXIT Quit all OSD tasks and applications.
- SIMPLINK** Allows you to control various multimedia devices to enjoy multimedia simply by using the remote control through the Simplink menu. (Depending upon the model, this feature may not be supported.)

TILE Selects the TILE Mode.

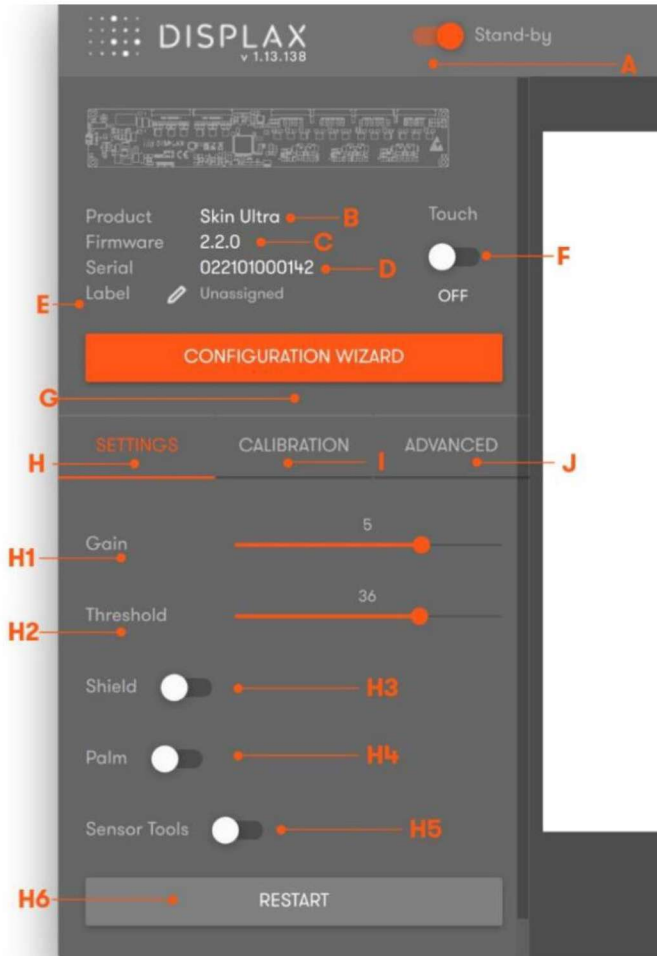
PICTURE ID ON/OFF When the Picture ID number matches the Set ID number, you can control whichever monitor you want in multi-display format.

USB Menu Control Buttons Controls media playback.

Displax Connect: index of features

Skin Ultra has all the following features.

If you have Skin Fit or Skin Dualtouch some features may not be available, whenever a feature is not available, a note is provided.



A. Stand by: the touch is temporarily disabled when opening the control panel. This way, if you want to adjust a setting you will be able to do it without the touch being active. When you close 'DISPLAX Connect' the touch injection will be automatically re-enabled and the STAND-BY status will change to ON. This stand-by status is only active when 'DISPLAX Connect' is open.

B. Product designation.

C. Firmware version.

D. Product serial number.

E. Label: you can attribute a label to the touch controller.

F. Touch Injection Status: touch injection to the Operating System has 3 modes:

ON: Operating system will receive touch events from the Skin.

OFF: Operating system will not receive touch events from the Skin.

STAND-BY: Operating system will temporarily not receive touch events from the Skin. This way, if you want to adjust some setting you will be able to do it. When you close 'DISPLAX Connect' the touch injection will be automatically re-enabled and the STAND-BY status will change to ON. This stand-by status is only active when 'DISPLAX Connect' is open.

G. Configuration wizard: automatically configures the touch parameters i.e. Gain, Threshold, Shield level. If the configuration wizard fails the touch parameters must be configured manually. Configuration Wizard is not available for Skin Dualtouch.

Settings

H. Settings tab: touch configuration settings.

H1. Gain: adjusts the signal strength injected by the Touch Controller on the Touch Sensor - thicker glasses and bigger Touch Sensors may require a stronger signal (higher GAIN values). Gain values range between 0 and 7.

H2. Threshold: adjusts the threshold level of what is considered a touch. Values vary between 0 and 50 starting on firmware version 1.5.0. (0 to 15 on firmware version equal or previous to 1.4.0).

H3. Shield: electromagnetic shielding reduces noise that may exist between the Skin product and the LCD. Shielding level ranges between 1 and 6, with 6 being the strongest shielding level. The shielding level should be maintained as low as possible.

H4. Palm: allows the rejection of areas with dimensions larger than a finger, such as a hand or an arm. (Feature not available in Skin Dualtouch).

H5. Sensor tools: Allows enabling and disabling horizontal and vertical electrodes and the selection of areas to be activated or deactivated within the touch sensor active area.



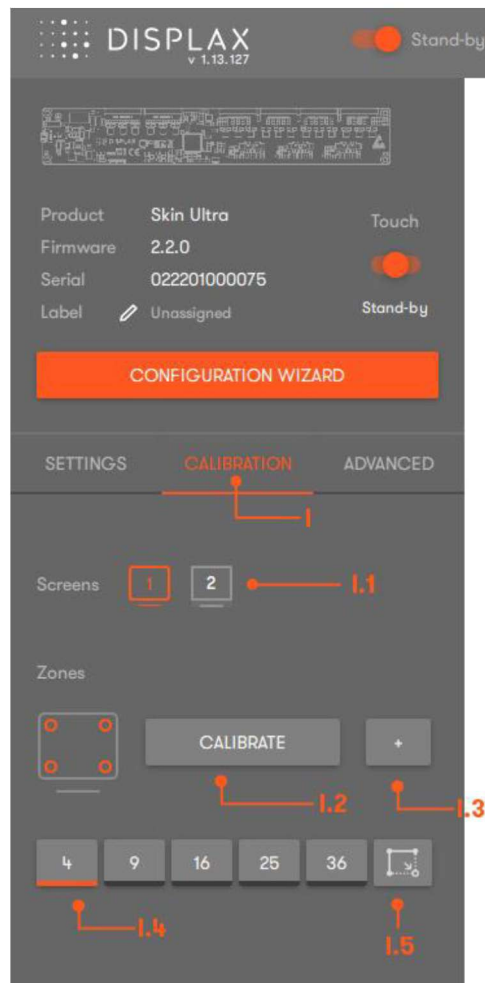
H5.1. Trash: reactivates the electrodes or electrode portions that we have deactivated.

H5.2. Rectangle selection: Enables drawing rectangular areas to be deactivated.

H5.3. Rectangular eraser: Allows the selection of areas to be reactivated.

H5.4. Draw selection: With the draw selection you can select parts of the active area to be disabled.

H5.5. Draw eraser: With the draw eraser you can select parts of the active area to be enabled.



Calibration

- I. Calibration: Geometrical calibration process to match the physical touch with the Operating System digital coordinates.
 - I1. Screens: select the display where you want to perform the geometric calibration.
 - I2. Calibrate: Click the button to start the geometric calibration. For most scenarios 4 calibration points are more than enough.
 - I3. + Advanced geometric calibration.
 - I4. Calibration points: Number of points used to perform the geometric calibration. Please refer to the advanced calibration chapter.
 - I5. Drag mode: Calibration of a touch sensor smaller than the LCD. Please refer to the advanced calibration chapter.



Advanced

J. Advanced tab: advanced configuration tools.

J1. Optimization: establishes a balance between Touch speed and Touch precision.

J2. Number of touches: limits the number of touches reported by the Touch Controller (Skin Ultra: between 1 to 100 touches; Skin Fit: 1 to 40 touches; Skin Dualtouch: 1 or 2 touches). This feature is available depending on the Touch Controller version and firmware you are using.

J3. Load settings file: allows loading previously saved configuration files. The user must wait 10 seconds after changing settings, before changing to other settings, in order to correctly save them into the controller.

J4. Save current settings to file: Allows saving the current settings to be used in other configurations. This feature should be used with equivalent setups, i.e. same LCD, glass thickness and size, sensor size and air gap. Note that there may be other sources of electromagnetic interferences on each setup, and the settings may have to be adjusted.

J5. Load firmware: allows to load a firmware file to the Touch Controller. This feature can be used when there is no internet access onsite, if you have internet access you do not need to use this feature.

J6. Factory reset: sets the Touch Controller to its default settings.

View options

K. View options:



K1. Touches: enables and disables touch recognition.

K2. Frame: represents electromagnetic interferences over the touch sensor.

K3. Frame color: choose between, a white, black or green frame.

K4. Full screen: expand the view of the touch sensor active area.